

LOGIC • TECHNICAL DATA

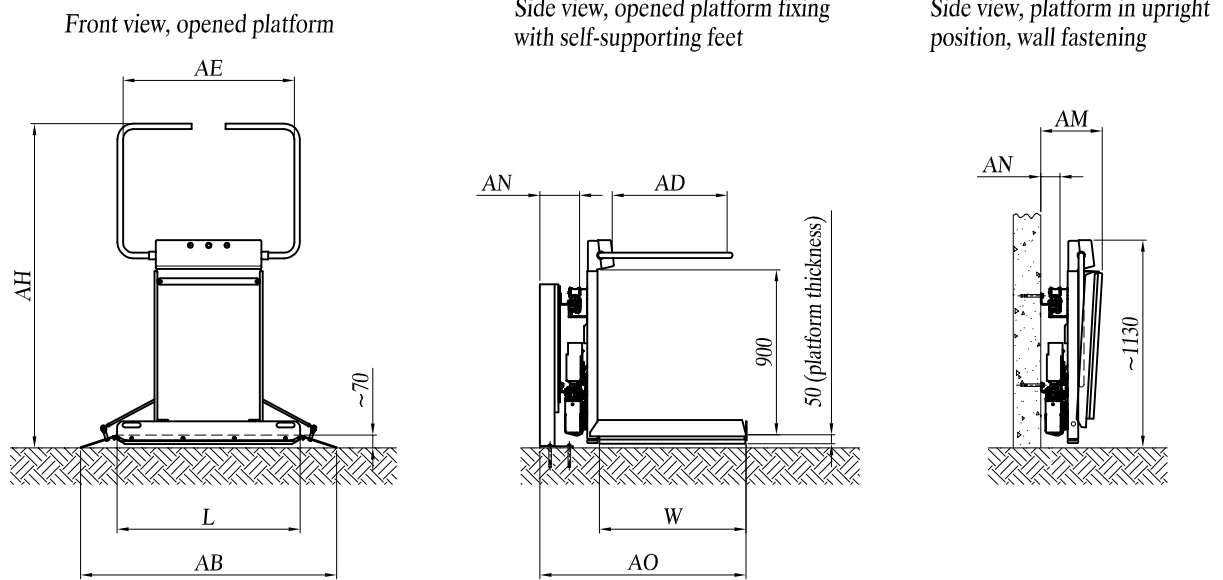


Table 1 - LOGIC minimum dimensions

L×W	Platform (length × width)	750×600	750×650	750×700	850×700	1000×800	1250×800
AB	Total platform length	1165	1165	1165	1265	1400	1650
AD	Total useful width within barrier arms	530	580	580	580	655	655
AE	Total useful length within barrier arms	745	745	745	825	975	1225
AH	Total height in parking position	1640	1690	1690	1690	1765	1765

Table 2 - Overall dimensions as per fixing kind

Fixing kinds		wall fastening	self-supporting feet
AN	Spacing between rail external side and wall	100	170
AM	Overall dimensions with closed platform	350	420
AO	Overall dimensions with opened platform *	950	1020

Table 3 - Features

Load capacity	250 Kg (daN)
Surmountable inclinations	10° ÷ 45°
Unit weight	150 Kg (daN) **
Rail weight	13 Kg (daN)/m
Main voltage	115 ÷ 240V (ac) 50 ÷ 60Hz
Max power absorbed by the net	0.68 ÷ 0.45 A
Control circuits voltage	24V (dc)
Maximum power on board	0.54 kW
Speed	0.1 m/s max.

* Overall dimensions AO are given for platform 750×700 and 850×700. For other platforms, see table 4.

** Platform 750×700.

code D10F31000

LOGIC • EXAMPLE OF PLANT

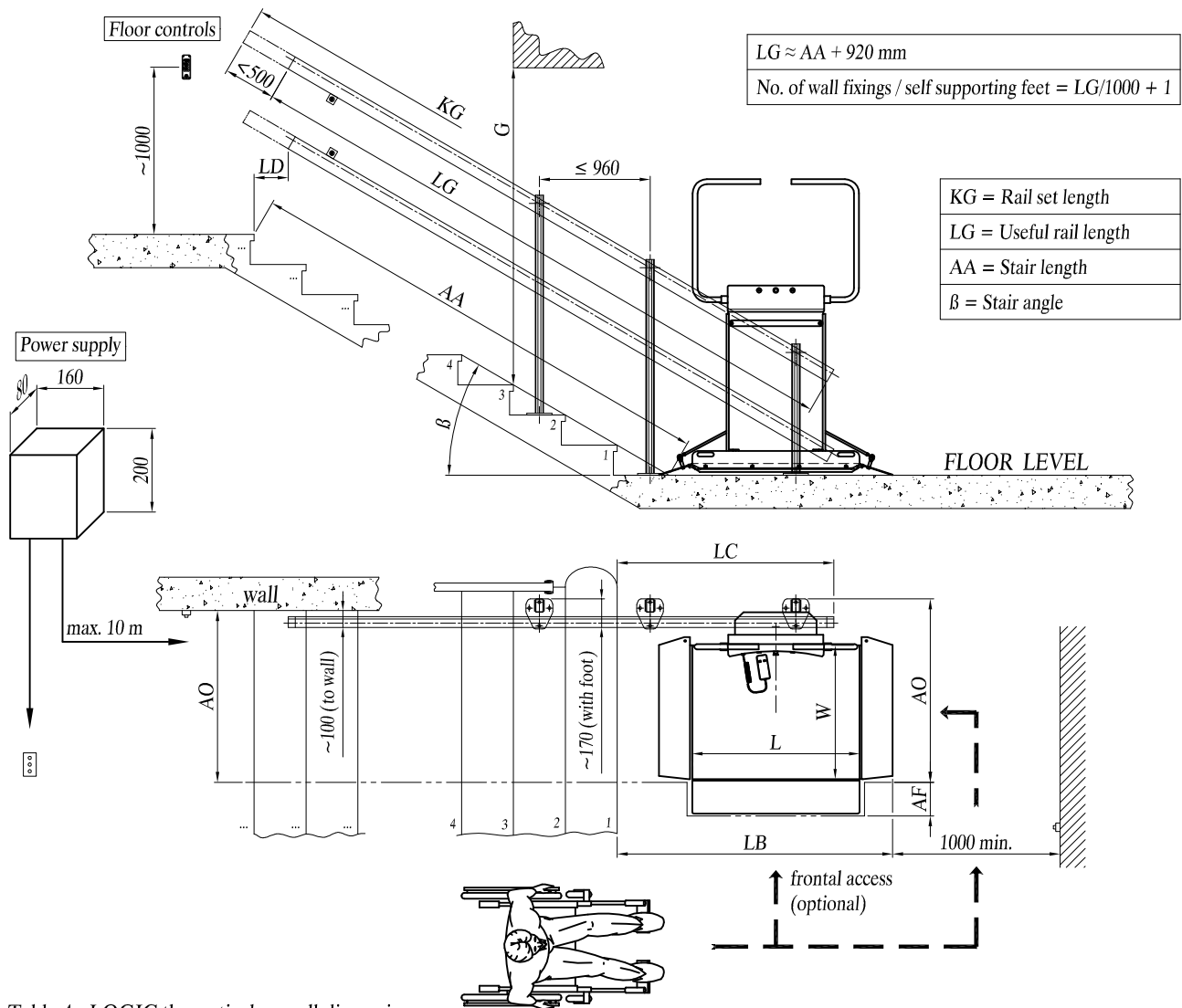


Table 4 - LOGIC theoretical overall dimensions

L×W	Platform (length × width)	750×600	750×650	750×700	850×700	1000×800	1250×800	
β	Stair gradient	from 10° up to 45°					10° ÷ 42°	
G	Min. height from step to ceiling	with β=15°	1630			1645	1665	1700
		with β=30°	1820			1850	1890	1965
		with β=45°	2170			2220	2295	2420
LB	Overall dimensions platform in the parking *	with β=15°	1670			1770	1920	2170
		with β=30°	1340			1440	1590	1840
		with β=45°	1230			1330	1480	1730
LC	Overall dimensions rail in the parking *	with β=15°	1500			1550	1625	1750
		with β=30°	1130			1180	1255	1380
		with β=45°	960			1010	1085	1210
LD	Overall dimensions rail to the tall arrival	5 ÷ 125			55 ÷ 175	130 ÷ 250	255 ÷ 375	
AO	Overall dimensions with opened platform **	with fixing to wall	850	900	950	950	1050	1050
		with self-supporting feet	920	970	1020	1020	1120	1120
AF	Additional dimensions in parking lot with frontal access	+190					N/A	

* Theoretical dimensions considering the value of the first rise equal to 180mm.

** The overall dimensions with opened platform AO must be increased of +25mm in case of frontal access (optional).